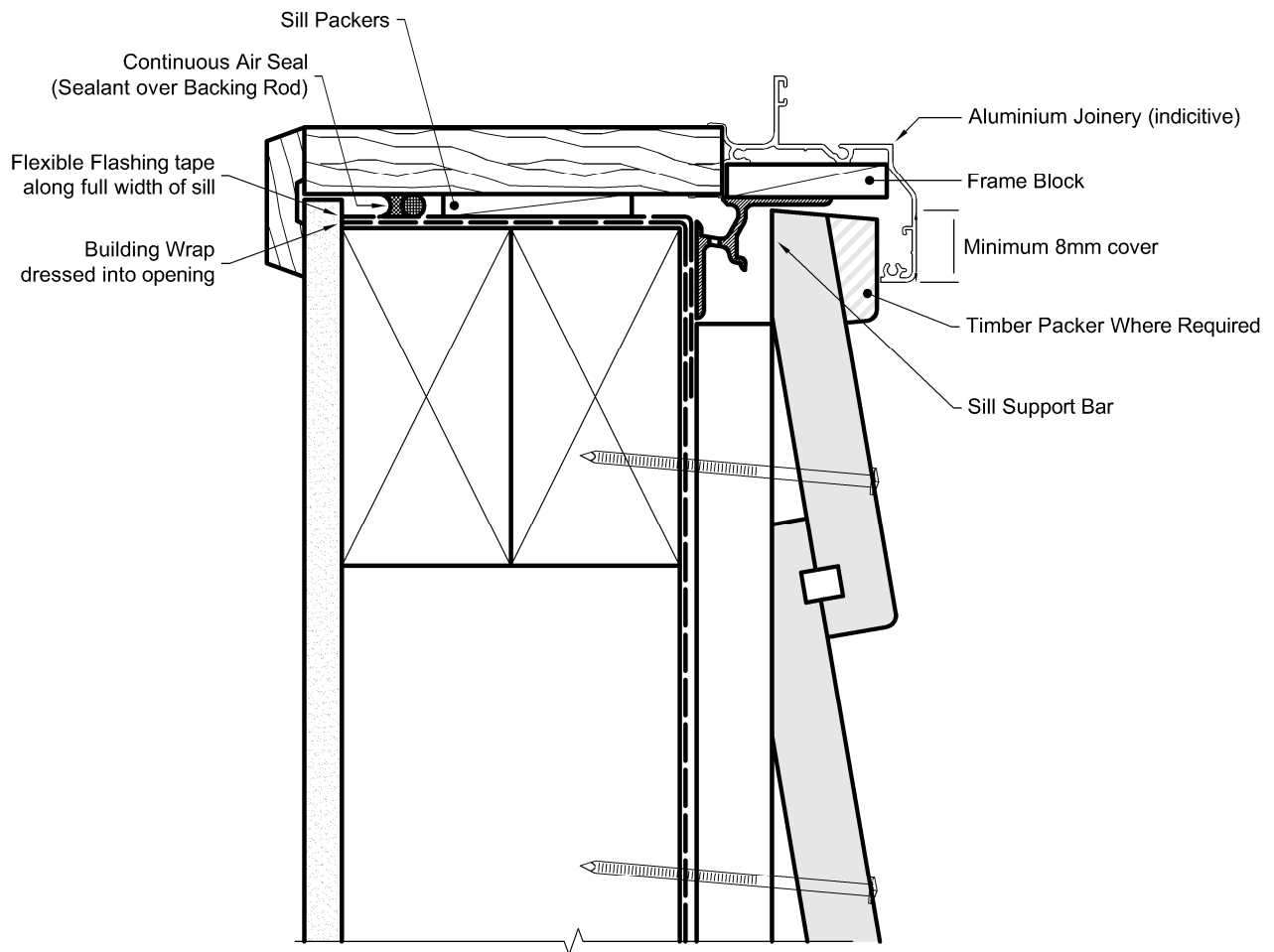


Aluminium Joinery Sill



Note: Refer to the Bevel Back Cavity System Installation Manual for full details

TIMSPEC
Timber Specialists
Email: sales@certclad.co.nz
Website: www.certclad.co.nz

AUCKLAND
64 Stoddard Rd, Mt Roskill
Ph: (09) 620-0260
Fax: (09) 620-0261

CARTERTON
30 Kent St
Ph: (06) 379-9381
Fax: (06) 379-9382

CHRISTCHURCH
9b Francella Place, Bromley
Ph: (03) 384-5287
Fax: (03) 384-5289